

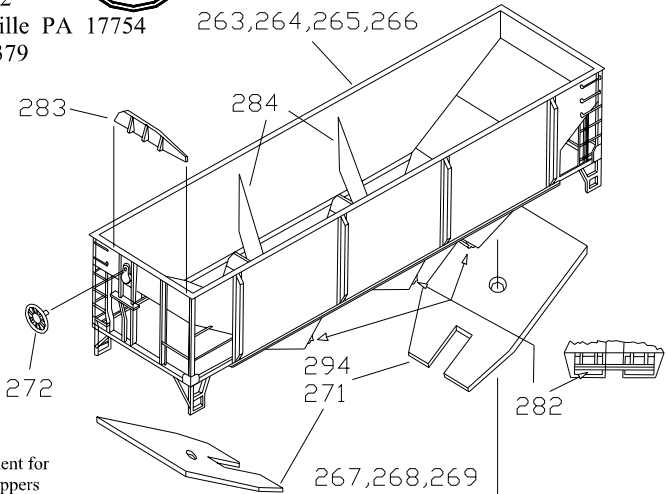


Stewart Hobbies HO Scale 70 Ton Hopper Car

Revised 11-04

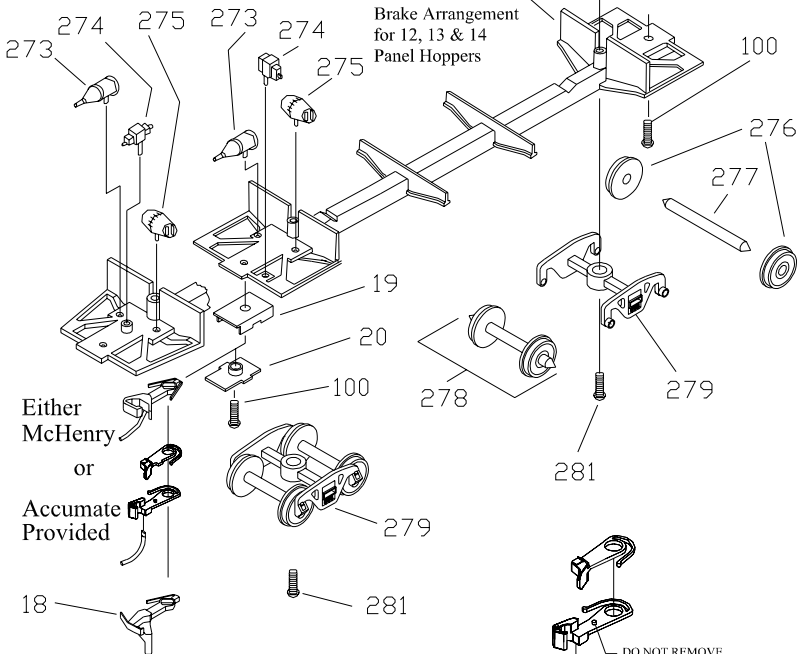
Bowser-Stewart
PO Box 322
Montoursville PA 17754
570-368-2379

263,264,265,266



Brake Arrangement for
Triple Offset Hoppers

Brake Arrangement
for 12, 13 & 14
Panel Hoppers



Either
McHenry
or
Accumate
Provided

OPTIONAL
DO NOT REMOVE

ACCUMATE ENLARGED